



## STAGE SUPERSIZE FABRIC DISPLAY



### STAGE SUPERSIZE DISPLAY FOR LARGE FORMAT FABRICS

Stage is the perfect solution to build large marketing surfaces with your own design. Stage is a selection of individual parts that allows you to quickly assemble a Stage backdrop in any number of shapes, sizes and curves.

With Stage you can custom build in terms of height, width and various curvatures. Stage is perfect for:

- When you need a creative custom solutions
- Irregular spaces
- Large spaces such as stages, convention halls and shopping malls
- Trade fairs and career days

*Oval feet*



*Cross base*



*Upper profile clip*



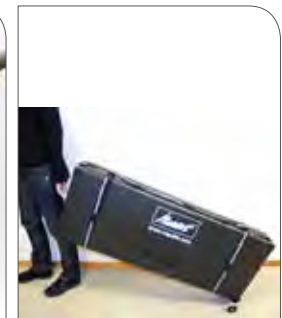
*Easy set up*



*High quality lightning*

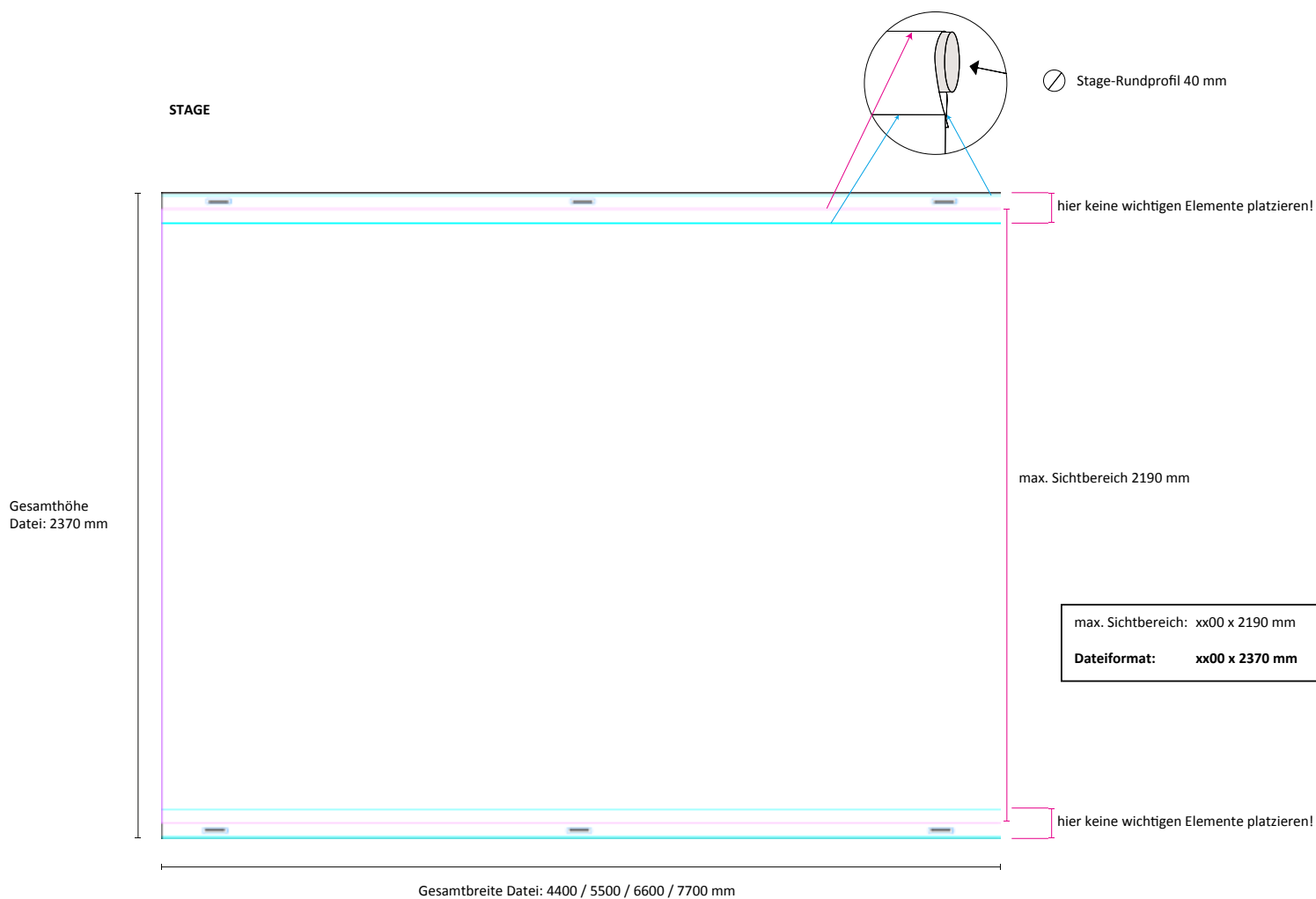


*easy transport*





# STAGE SUPERSIZE FABRIC DISPLAY



## STAGE SUPERSIZE DISPLAY

Each horizontal pole: 110 cm  
(for ex. 4 sections = 440 cm width)

2 feet: oval or tripod  
(with tripod: add. 7 cm in display height)

Print sizes:

STAGE 4 = Visible area 4.400 x 2.190 mm  
Print size 4.400 x 2.370 mm

STAGE 5 = Visible area 5.500 x 2.190 mm  
Print size 5.500 x 2.370 mm

STAGE 6 = Visible area 6.600 x 2.190 mm  
Print size 6.600 x 2.370 mm

STAGE 7 = Visible area 7.700 x 2.190 mm  
Print size 7.700 x 2.370 mm

For sewing: add 8 cm + 1 cm on top and bottom

Gerne können Sie auch unsere Dateivorlage (Indesign idml) anfordern. Bitte beachten Sie die allgemeinen Hinweise zum Anlegen von Druckdateien.



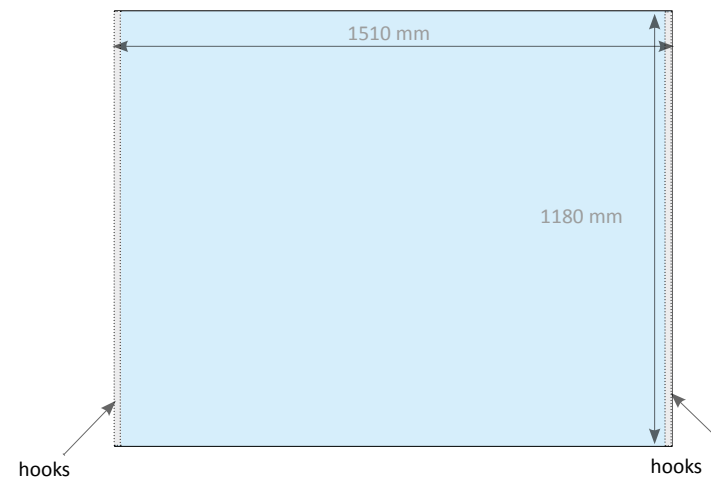
## STAGE SUPERSIZE FABRIC DISPLAY



### STAGE FABRIC FO STAGE BOX

Print size:

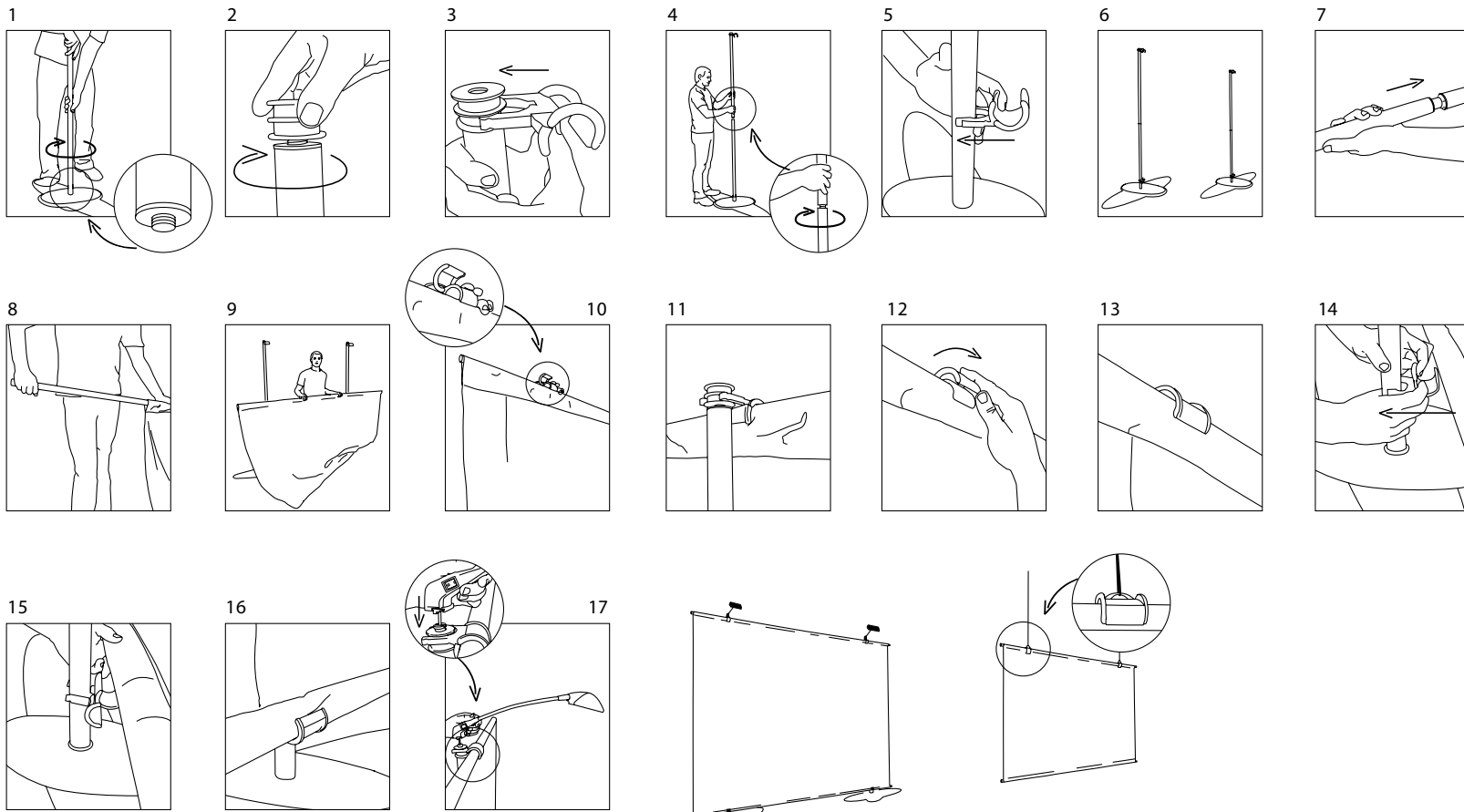
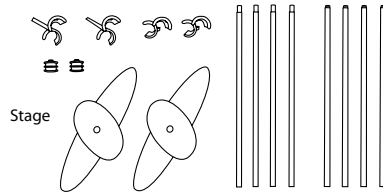
1510 x 1180 mm





# STAGE SUPERSIZE FABRIC DISPLAY

## STAGE Ovale Fußplatten

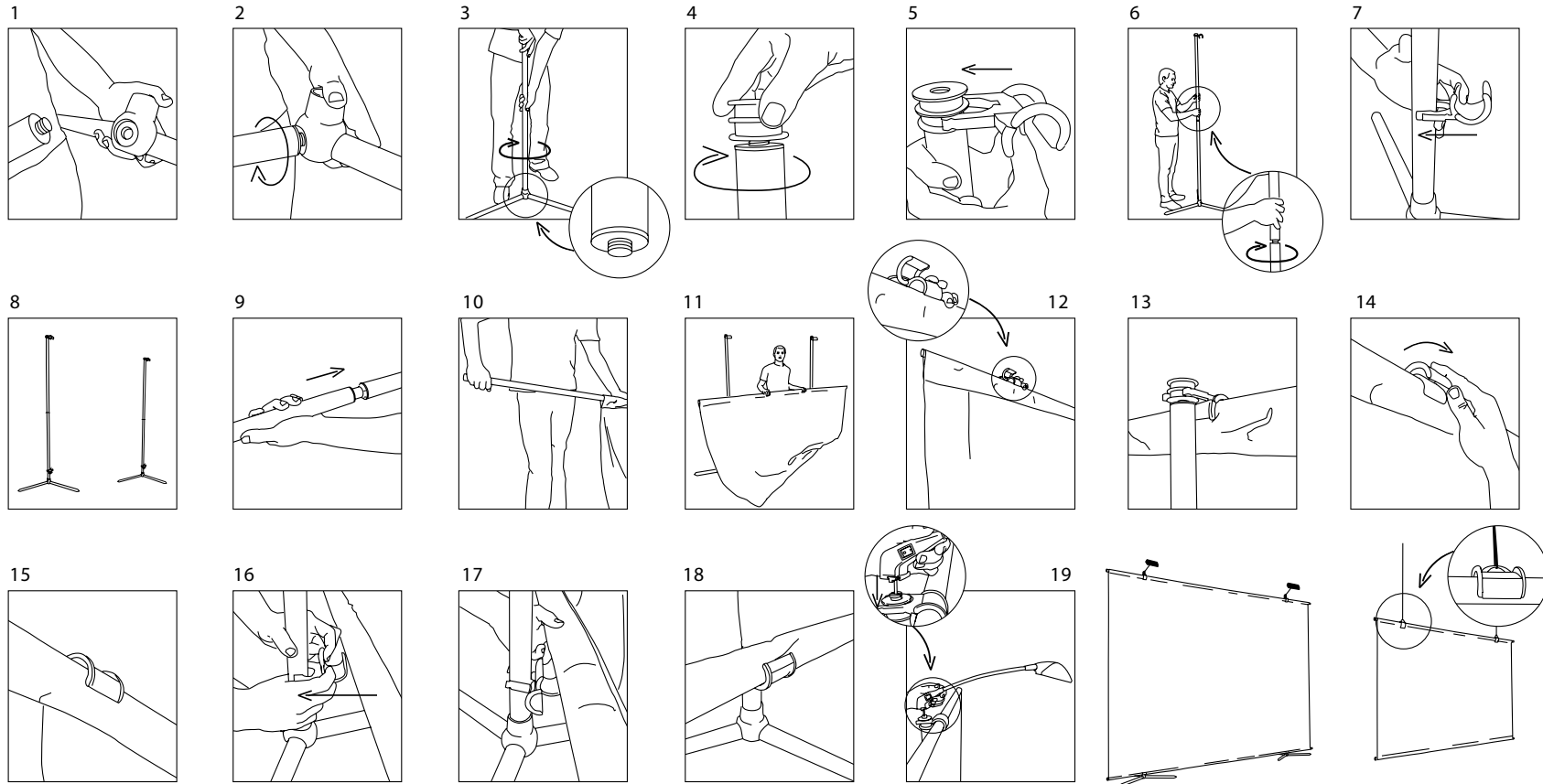
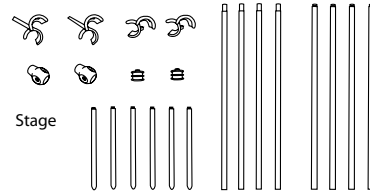


Gerne können Sie auch unsere Dateivorlage (Indesign idml) anfordern. Bitte beachten Sie die allgemeinen Hinweise zum Anlegen von Druckdateien.



# STAGE SUPERSIZE FABRIC DISPLAY

## STAGE Kreuzfuß





# STAGE SUPERSIZE FABRIC DISPLAY

